



# Produktinformation

## Filterhus & Filterpatron



**Skandinaviska IFAB Filtrering AB**

Hangarvägen 9 • S-42337 Torslanda

☎ +46(31) 92 20 70

☎ +46 (31) 92 23 32

www.ifab.se • ifab@ifab.se

## Filterhus

IFAB erbjuder filterhus från ledande tillverkare i Europa och USA. Tillverkningen sker i kolstål, rostfritt stål samt PVC och polypropylen. Avgörande för valet av filterhus är applikation, vätska, temperatur, tryck etc. De större filterhusen kundanpassas i fråga om placering och val av anslutningar. Där mycket höga krav ställs på effektiv rengöring, t ex inom livs- och läkemedelsindustrin, tillhandahåller vi sanitetsfilterhus. Samtliga filterhus kan levereras med materialcertifikat.



### MULTI STACK FILTER HOUSING

The **6119 SERIES** multi cartridge housing is available with 3, 5, 10, 15 and 19 element stacks up to 40" long. The top opening style is equipped with a Cast Vee clamp as standard for pressures ranging from 6 - 10 bar.g. These housings are widely used where low capital cost is of prime importance. Being floor mounted and therefore free standing, these housings will suit most pre-filtration applications. Bolted closures are an option available for all models.

The **6119 SERIES** will accept either standard Double Open End or Single Open End cartridges. This includes the full range of industry standard cartridges ranging from 0.1 to 500µm with nominal lengths of 10, 20, 30 and 40".

Accessories available include pressure gauge and vent valve kits, drain valves and bolt down plates.

#### Product Features:

- Free standing, easy to install design
- Universal cup allows the use of plug in (Code 3/8, 222) or DOE cartridge styles in the same housing
- Vee clamp closures use unique "W" style seal for reliable leak free operation (6119 housing available with Bolted closure only)
- High quality cast Vee band clamps for safety and security
- Cast compression nut with integral PTFE washer for easy, hand tight cartridge sealing
- Wide range of connection sizes and types, cartridge lengths and materials of construction
- PED and ATEX Compliant



#### Accessories

Pressure Gauge and Vent Valve Kit	
Pressure Gauge and Auto Vent Valve Kit	
Ball Valve and Nipple	

### FEATURES AND BENEFITS

- Integral vent, clean and dirty drain sockets to aid efficient filter changeout
- Universal cup enables choice of plug in (Code 3/8, 222) or DOE cartridge styles in the same housing
- Every housing is etched with a unique serial number for full traceability
- Available in both 316L Stainless Steel and C22 Hastelloy
- Full housing customisation service available
- Internally and externally electropolished as standard

### 3-15 ROUND MULTI CARTRIDGE HOUSINGS

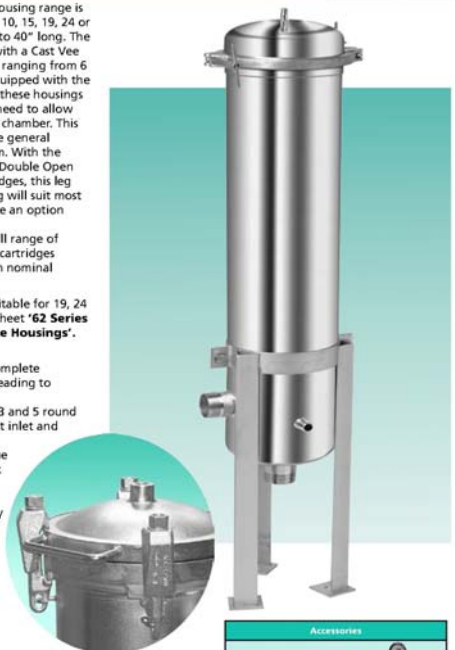
The **62 SERIES** Multi cartridge housing range is designed to accommodate 3, 5, 10, 15, 19, 24 or 30 stacks of filter cartridges up to 40" long. The top opening style is equipped with a Cast Vee clamp as standard for pressures ranging from 6 - 10 bar.g. Leg mounted and equipped with the more conventional dished end, these housings suit processes where there is a need to allow complete drainage of the clean chamber. This design assists in maintaining the general cleanliness of the process system. With the ability to accept both standard Double Open End and Single Open End cartridges, this leg mounted, free standing housing will suit most applications. Bolted closures are an option available for all models.

The **62 SERIES** will accept the full range of Amazon and industry standard cartridges ranging from 0.1 to 500µm with nominal lengths of 10, 20, 30 and 40".

For information on housings suitable for 19, 24 and 30 cartridges refer to datasheet '62 Series - 19-30 Round Multi Cartridge Housings'.

#### Product Features:

- Dished bottom end allows complete drainage of clean chamber, leading to improved system cleanliness
- Adjustable strap legs on the 3 and 5 round housings allow the user to set inlet and outlet heights
- Vee clamp closures use unique "W" style seal for reliable leak free operation
- High quality cast Vee band clamps for safety and security
- Cast compression nut with integral PTFE washer for easy, hand tight cartridge sealing
- Wide range of connection sizes and types, cartridge lengths and materials of construction
- PED and ATEX Compliant



#### Accessories

Pressure Gauge and Vent Valve Kit	
Pressure Gauge and Auto Vent Valve Kit	
Ball Valve and Nipple	

### FEATURES AND BENEFITS

- Integral vent, clean and dirty drains to aid efficient filter change-out
- Each housing hydrostatically pressure tested
- Internally and externally electropolished as standard
- Each housing is etched with a unique serial number for full traceability
- Full housing customisation service available
- Universal cup enables choice of plug in (Code 3, Code 8 and Code A) or DOE cartridge styles in the same housing

# Filterpatroner

IFAB lagerhåller och marknadsför patronfilter från världsledande tillverkare i Europa, USA och Japan. Det finns många olika konstruktioner av filterpatroner där varje tillverkare har sin specialitet. Genom att representera ett stort antal producenter har IFAB ett mycket komplett sortiment. Det som styr valet av filterpatron är temperatur, filtrat, viskositet, flöde, kemisk kompatibilitet samt typ av partiklar. Filterpatroner indelas i nominella, semiabsoluta och absoluta membran filter, samt yt- och djupfiltrerande. Det finns även patronfilter med tillsatser så som; aktivt kol och jonbytare.

Kombinationen av filtermedia, anslutning, längd och dimension gör att variationen av patroner är ofantlig. IFAB har patronfilter för alla sorters filterhus och för varje kunds önskemål och applikation. Vi hjälper er gärna att hitta rätt filterpatron i vårt stora och omfattande sortiment.



## 19-30 ROUND MULTI CARTRIDGE HOUSINGS

The 62 SERIES Multi cartridge housing is designed to accommodate 3, 5, 10, 15, 19, 24 or 30 stacks of filter cartridges up to 40" long. The top opening style is equipped with Rathmann style bolted closures as standard for pressures ranging from 6 - 10 bar g. Leg mounted and equipped with the more conventional dished end, these housings suit processes where there is a need to allow complete drainage of the clean chamber. This design assists in maintaining the general cleanliness of the process system. With the ability to accept both standard Double Open End and Single Open End cartridges, this leg mounted, free standing housing will suit most applications. Bolted closures are an option available for all models. The SERIES will accept the full range of industry standard cartridges ranging from 0.1 to 500µm with nominal lengths of 30 and 40".

For information on housings suitable for 3-15 cartridges refer to datasheet **Round Multi Cartridge Housings**.

### Product Features:

- Dished bottom end allows complete drainage of clean chamber, leading to improved system cleanliness
- Rathmann style bolted closures for reliable leak free operation
- Cast compression nut with integral PTFE washer for easy, hand tight cartridge sealing
- Wide range of connection sizes and types, cartridge lengths and materials of construction
- PED and ATEX Compliant



Accessories	
Pressure Gauge and Vent Valve Kit	
Pressure Gauge and Auto Vent Valve Kit	
Ball Valve and Nipple	

## FEATURES AND BENEFITS

- Integral vent, clean and dirty drains to aid efficient filter change-out
- Each housing hydrostatically pressure tested
- Internally and externally electropolished as standard
- Each housing is etched with a unique serial number for full traceability
- Full housing customisation service available
- Universal cup enables choice of plug in (Code 3, Code 8 and Code A) or DOE cartridge styles in the same housing

## Polypropylene 22 stack cartridge housings JCF-22 SERIES

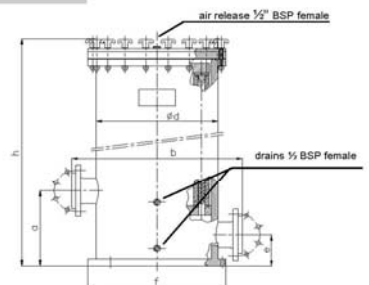
Type	Number of cartridges
JCF-2225-DOE	22 x 10" cartridges
JCF-2250-DOE	22 x 20" cartridges
JCF-2275-DOE	22 x 30" cartridges
JCF-22100-DOE	22 x 40" cartridges

M3 and M7 adaptors also available

Ordering code:	JCF-2250-DOE-DN80-F/T
Type	_____
Adaptor	_____
Inlet/outlet (F)flanged / (T)hreaded connection	_____

Gaskets  
EPDM O-ring

On request  
VITON, Teflex



Inlet/Outlet	Dimensions in mm								
	a	b	d	e	f	h	h	h	h
DN 80/100	325	700	500	135	565	750	1000	1240	1390
						10"cartr.	20"cartr.	30"cartr.	40"cartr.

[www.ifab.se](http://www.ifab.se)

## MPX Type (Polypropylene Media)

The MPX cartridges are pleated filters capable of both high removal efficiency and high dirt holding capacity. Constructed of 100% polypropylene, the MPX cartridges provide wide chemical compatibility.

### Features

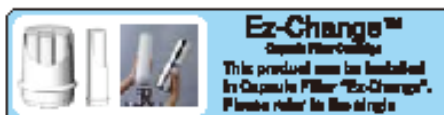
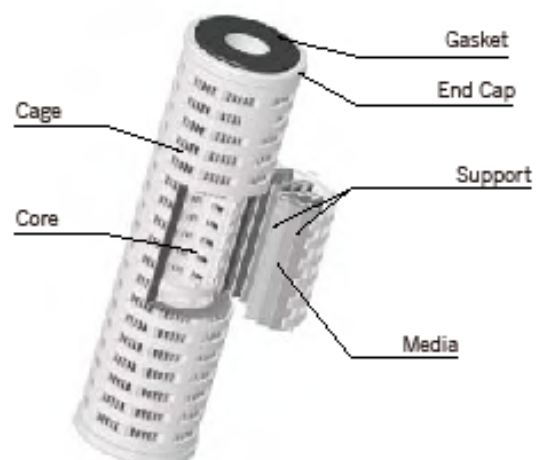
- Using the super fine fiber produced from the state-of-the-art technology to keep high void volume, the MPX cartridges provide higher removal efficiency and higher flow rates while maintaining low differential pressure, resulting in running cost reduction.
- Having a wide effective filter area, the MPX cartridges provide higher flow rates and longer service life.
- Because the filtering speed is controlled low, the MPX cartridges provide effective removal of soft contaminants such as gels.
- No binders or surfactants are used in the manufacturing process, which provides low extractables and wide chemical compatibility.



### Major Applications

- Chemical solutions
- Beer, Wine, Mineral Water
- General water for industrial use and make-up water
- Lubricating oils
- Others

### Materials of Construction



AP1A002CE

## SLS Type

The SLS cartridges are non-woven polypropylene wrapped depth filters capable of high removal efficiency due to the fact that super extra-fine fiber produced from the state-of-the-art technology is used. The SLS cartridges provide higher flow rates and longer service life because of high void volume and ideal graded density slope.

### Features

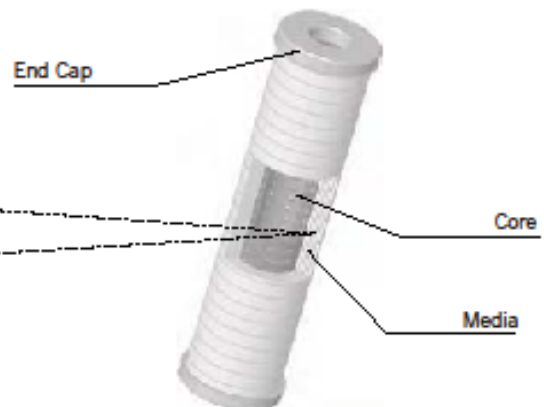
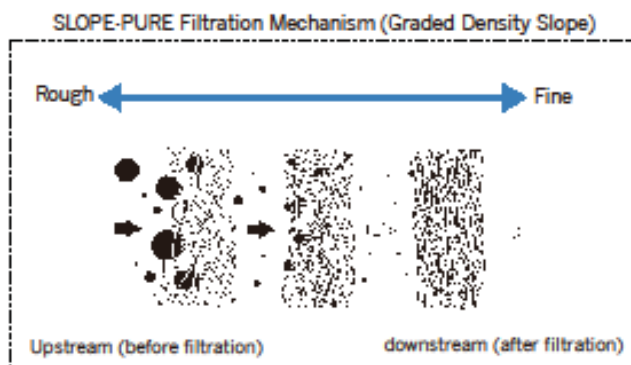
- With the construction of ideal density slope, the SLS cartridges provide longer service life for the filtration of liquids with a wide particle distribution.
- No binders or surfactants are used in the manufacturing process, which provides low extractables and wide chemical compatibility.
- Combining fine fiber continuously with coarse fiber to keep high void volume, the SLS cartridges provide excellent flow rates and dirt holding capacity.

### Major Applications

- Fine Chemicals and Chemical solutions
- General water for industrial use and make-up water
- Low viscous paints
- Others



### Materials of Construction



AG1A06CE

Skandinaviska IFAB Filtrering AB är marknadsledande i Sverige och Baltikum och har över 30 års erfarenhet inom vätskefiltrering.

Idag är IFAB en koncern med huvudkontor i Torslanda, Göteborg och dotterbolag i Riga, Lettland, Minsk, Vitryssland och St. Petersburg, Ryssland.

Med lokal tekniskt utbildad personal, har vi ett nära samarbete med våra kunder även utanför Sverige. Varulager finns i anslutning till respektive kontor.

IFAB marknadsför sitt produktprogram i Sverige, Danmark, Estland, Lettland, Litauen, Vitryssland, St. Petersburg och Kaliningrad.

Läs mer om oss och våra produkter på vår hemsida:

[www.ifab.se](http://www.ifab.se)

# IFAB

SKANDINAVISKA IFAB FILTRERING AB

Hangarvägen 9 • S-423 37 Torslanda

☎ +46 (31) 92 20 70 • 📠 +46 (31) 92 23 32

www.ifab.se • ifab@ifab.se

